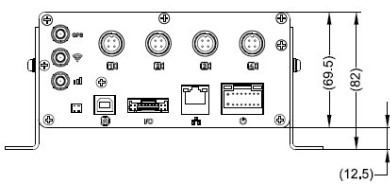
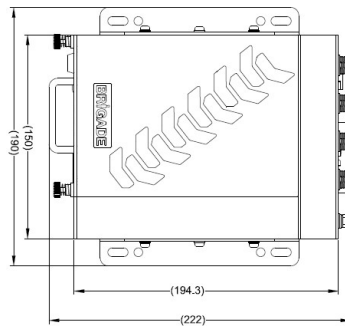


Product Specification



Dimensions: mm



Environmental Specifications:

- Shock Rating: 51G
- Vibration Rating: 1G
- Operating Relative Humidity: 10% to 90%
- IP Rating: IP30
- Operating Temperature: -40° to +70°C
- Storage Temperature: -40° to +85°C

Approved Standards:

- CE¹ - (EN 61000-6-3:2007 + A1:2011 + AC:2012; EN 61000-6-1:2007) (EN 61000-6-4:2007 + A1:2011; EN 61000-6-2:2005)
- FCC - (47 CFR Part 15 Subpart B)
- 'E' Mark¹ - (ECE Regulation 10 Rev 05)
- IC - (ICES-003:2016 (Issue 6))
- RoHS2, WEEE

Technical Specifications:

- Operating Voltage: 8.5 - 32 Vdc
- Max Current Consumption: ≤5A @ 12Vdc
- Max Inrush Current: 5.8A @ 12Vdc and 2.3A @ 24Vdc
- Power Consumption: ≤60 Watts @ 12Vdc
- TV System: PAL/NTSC/AHD
- Video Input: 4x Select Connectors (Male)
2 Channels for IP cameras via Ethernet Connector (requires PON switch)
- Audio Input: 4x Camera Microphones
- Video Output: 1x Select Connector (Female)
- Audio Output: 1x Channel
- Video Input/Output: 1.0 Vp-p / 75Ω
- Video Compression: H.264
- Audio Compression: ADPCM
- Installation Direction: Internal HDD anti-vibration mount allows any mounting direction.
- Housing Material: Extruded Aluminium, Gunmetal Grey
- Weight (Control Unit Only): 2.2kg
- Dimensions (Without cables): 190mm (W) x 222mm (D) x 82mm (H)
- Power-up Time to Rec.: 50 seconds
- Display Split: Single, Quad or 9-Split
- Image Frame Rates: 1-25 FPS (PAL); 1-30 FPS (NTSC&AHD);
- Image Resolution: PAL: WD1 (960x576), D1 (704x576), WHD1 (960x288), HD1 (704x288), WCIF (480x288), CIF (352x288)
NTSC: WD1 (960x480), D1 (704x480), WHD1 (960x240), HD1 (704x240), WCIF (480x240), CIF (352x240)
AHD: HD (1280x720), FULL HD (1920x1080)
- Recording Quality Setting: 1 to 8 (1 is the highest)
- Recording Duration (500GB): Minimum 142 hours (Quality 1; Res D1; 25/30fps)
47 hours (Quality 1; Res 720p; 25/30fps)
Maximum 18576 hours (Quality 8; Res CIF; 1fps)
6772 hours (Quality 8; Res 720p; 1fps)
- Recording Duration (1TB): Minimum 284 hours (Quality 1; Res D1; 25/30fps)
95 hours (Quality 1; Res 720p; 25/30fps)
Maximum 37152 hours (Quality 8; Res CIF; 1fps)
13545 hours (Quality 8; Res 720p; 1fps)
- Recording Duration (2TB): Minimum 569 hours (Quality 1; Res D1; 25/30fps)
190 hours (Quality 1; Res 720p; 25/30fps)
Maximum 74304 hours (Quality 8; Res CIF; 1fps)
27090 hours (Quality 8; Res 720p; 1fps)

Worldwide Excluding North America

North America

Model Number: (Part Number)	Worldwide Excluding North America	North America
	MDR-504-500 (5122)	MDR-504-500 (5122)
	MDR-504G-500 (5124)	MDR-504G-500(NA) (5536)
	MDR-504W-500 (5125)	MDR-504W-500 (5125)
	MDR-504GW-500 (5123)	MDR-504GW-500(NA) (5497)
	MDR-504-1000 (5561)	MDR-504-1000 (5561)
	MDR-504G-1000 (5569)	MDR-504G-1000(NA) (5548)
	MDR-504W-1000 (5565)	MDR-504W-1000 (5565)
	MDR-504GW-1000 (5573)	MDR-504GW-1000(NA) (5552)
	MDR-504-2000 (5563)	MDR-504-2000 (5563)
	MDR-504G-2000 (5571)	MDR-504G-2000(NA) (5546)
	MDR-504W-2000 (5567)	MDR-504W-2000 (5567)
	MDR-504GW-2000 (5575)	MDR-504GW-2000(NA) (5554)

- Storage: 500GB / 1TB / 2TB 2.5" SATA HDD, 32GB SD card
- Mobile Standards²: 2G / 3G / 4G (G & GW models)
- SIM Card (G & GW models): Standard size and Data Enabled
- Mobile Operating Bands: FDD LTE, WCDMA/HSDPA/HSUPA (G & GW models Ex-NA)
HSPA+ and GSM/GPRS/EDGE
- Mobile Operating Bands: FDD LTE, WCDMA/HSDPA/HSUPA (G & GW models NA)
HSPA+ and DC-HSPA+
- Wireless Standards: 802.11n/g/b (W and GW models)
- Wireless Security Standards: WEP, WPA/WPA2, WPA-PSK/ WPA2-PSK (W & GW models)

Features:

- Remotely Access MDR units using Wireless Connectivity and/or Mobile Network Connectivity for Evidence upload to Servers. Real-time alerts of HDD malfunctions and video loss. See MDR-Dashboard features below (G, W, or GW models only)
- MDR-Dashboard 5.0 (full-featured software) has the following functions: Real-time preview, Multi-vehicle monitoring, playback of server and local video data, downloading data, evidence management, auto-download scheduling, user data management and an alarm centre. (Features are model dependant).
- Mobile applications for remote live view and snapshots on iOS and Android systems (G, W, or GW models only)
- On-screen Display Graphical User Interface
- MDR control using USB Mouse, IR Remote Control and PC via browser (Ethernet)
- MDR-Player 5.0 (portable) is able to view clippings and directories
- MDR Server 5.0 enables Windows PC to become Wi-Fi Servers and/or 4G/3G servers (G, W, or GW models only)
- Internal G-Sensor and Built-in Buzzer
- GPS for location, monitoring and tracking on playback
- Mirror Recording onto SD card
- Lockable and removable Mobile Caddy Unit (MCU) with HDD
- Caddy Unit directly pluggable to PC via USB-B port (USB 3.0)
- Various Pre and Post Recording Settings
- Recording Modes: Normal, Alarm and Timer (all watermarked)
- Multi-level password protected access (Administrator; User)
- 8x Trigger Inputs, 2x Trigger Outputs and 1x 12V Power Output
- Built-in HDD Heater and Diagnostic LED Status Panel
- USB-A port on front panel for upgrades, configuration and exporting data

Package Contents:

- 1 x MDR-504XX-XXXX-CU Mobile Digital Recorder
- 1 x MDR-MOUSE-01 MDR Wired Mouse
- 1 x MDR-IO-01 Input / Output Cable
- 1 x MDR-PWR-01 Power Cable
- 1 x MDR-ANT-GPS-01 GPS Antenna
- 1 x MDR-ANT-MOB-01 Mobile Network Antenna (G & GW models)
- 1 x MDR-ANT-WIFI-01 Wi-Fi Antenna (W & GW models)
- 1 x MDR-USB-B-02 USB A to B Cable (3.0)
- 1 x MDR-KEY-01 Security Key
- 1 x MDR-BKT-01 Brackets
- 1 x MDR-BKT-FIX-01 Bracket Fixings
- 1 x MDR-500-IG Installation Guide
- 1 x MDR-500-CD Installation CD

Optional Accessories:

- 1 x MDR-RP-0X Remote Status & Interface Panel with Panic Button
- 1 x MDR-GS-0X External G-Sensor

[1] Worldwide Excluding North America models only
[2] North American models do not support 2G

Specifications subject to change without notice

PS(Various)-03 MDR-504XX-XXXX